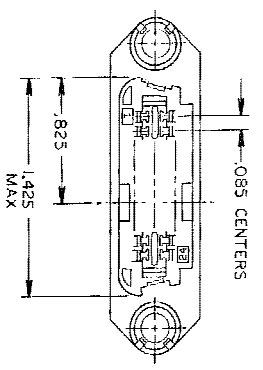
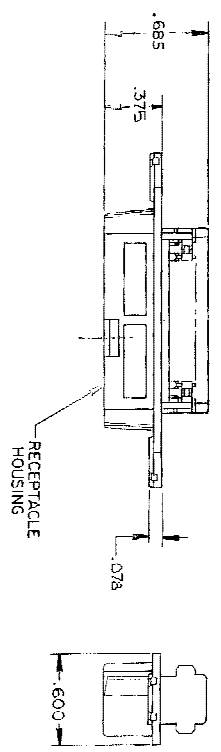
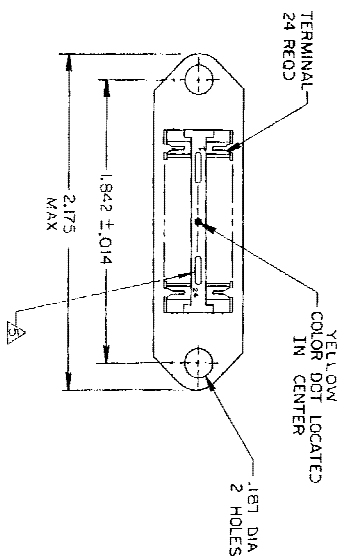


REV	DATE	REVISIONS	DATE	BY
00	1/28/07	REVISION	1/28/07	ZYR/W/L/M
J	REVISED FOR ESD-06-000525		9/24/07	ZYR/W/L/M



1. THE CONTACT SURFACES OF THE TERMINALS ARE COATED WITH LUBRICANT.
2. ALL DIMENSIONS SHOWN ARE FOR REFERENCE ONLY UNLESS OTHERWISE SPECIFIED.
3. MATERIAL:
 - HOUSING - THERMOPLASTIC (BLACK)
 - TERMINALS - HIGH STRENGTH COPPER ALLOY PLATED WITH .000030 MIN GOLD, OR GOLD FLASH OVER .000030 MIN PALLADIUM NICKEL, ON CONTACT MATING SURFACE. .000050 MIN NICKEL UNDERPLATE OVER ENTIRE TERMINAL.
4. WIRE SIZE: 26, 27, OR 28 AWG 7 STRANDS OF COPPER CONDUCTORS, MAX INSULATION ϕ .045 IS ACCEPTABLE FOR MOST APPLICATIONS.

△ CORING MAY OR MAY NOT APPEAR AND IS AT THE DISCRETION OF TYCO ELECTRONICS.

THIS DRAWING IS A CONTROLLED DOCUMENT:		REV	1-2-06	DATE	1-2-06
BY: STEPHEN DOSS		APP'D	MARK	DATE	1-2-06
CHECKED BY: V.E. SLACK		REVISED BY:	DATE:	REVISED BY:	DATE:
APPROVED BY: J.P. WARD		PRODUCT SPEC	APPLICATION SPEC	REVISION NO	552474
CUSTOMER DRAWING		SCALE	NTS	SHEET	1 OF 1

THIN FLANGE 2-552474-1
DESCRIPTION PART NO